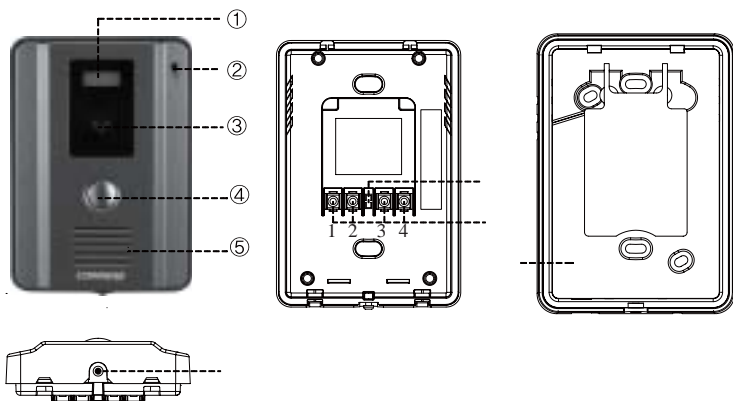


Overview

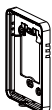


- White LED & illumination sensor : Offer clear image at night
- Microphone : It delivers voice from a visitor
- Camera lens : Transferring image
 - * It should be kept clean
- Call button : Call a residence
- Speaker : It delivers voice to a visitor
- Screw Hole
- Door Release connection terminal
- Monitor connection terminal
- Wall Bracket

Package contents



Door camera



Bracket



Camera fixing screw

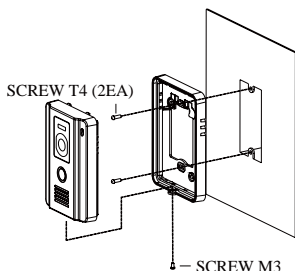


Bracket fixing screw

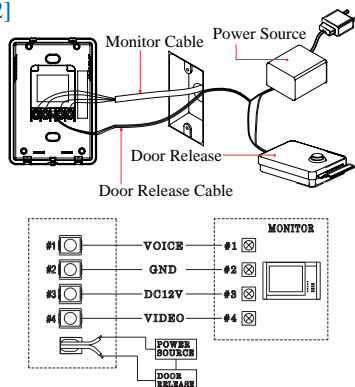
Installation

1. Fix a bracket on a wall with screws
2. Wiring #1, 2, 3, 4 on the back side of a door camera with a monitor as shown in [FIG-2]
(#1 : VOICE, #2 : GND, #3 : DC12V, #4 : VIDEO)
3. Put a door camera unit into a wall bracket
4. Wire door release connection terminal as shown in [FIG-2]
5. Tighten a screw at the bottom side of a door camera. [FIG-1]

[FIG-1]



[FIG-2]



Specification

Model No.	DRC-40CK			
Rated Voltage	DC 12V (Supplied to monitor)			
Wiring	4 wires (polarity) to a monitor 2 wires (non-polarity) to a electric door lock			
Sensor Type	CMOS IMAGE SENSOR			
Transmission	Full duplex			
Color Television	NTSC STANDARD.			
Minimum Illumination	0.1 Lux (within 300mm)			
LED	Embedded white LED (night working)			
Effective Viewing Angle	Horizontal 75°, Vertical 55°			
Angle Adjustment	Upward 13			
Operating Temperature	-10 ~ +40			
Weight (g)	300g			
Dimension (mm)	101(W) x 142(H) x 32(D)			
Installation between a door camera and a monitor(TIV Cable)	Diameter(pie)	∅0.5	∅0.65	∅0.8 ∅ 1
	Distance(meter)	28m	50m	70m 115m