

COMMAX

COMMAX Co.,Ltd.

513-11, Sangdaewon-dong, Jungwon-gu, Seongnam-si, Gyeonggi-do, Korea

Int'l Business Dept. Tel. : +82-31-7393-540~550 Fax. : +82-31-745-2133

Web site : www.commax.com

Printed In Korea / 2011.02.104

Since 1968

COMMAX
SmartHome & Security

User Manual

DOOR CAMERA DRC-4BGN / 4CGN



www.commax.com

COMMAX Co.,Ltd.



- Thank you for purchasing COMMAX products.
- Please carefully read this User's Guide (in particular, precautions for safety) before using a product and follow instructions to use a product exactly.
- The company is not responsible for any safety accidents caused by abnormal operation of the product.

Table of Contents

1. Greetings.....	2
2. Overview.....	3
3. Wiring & Installation.....	4
4. Specification.....	7

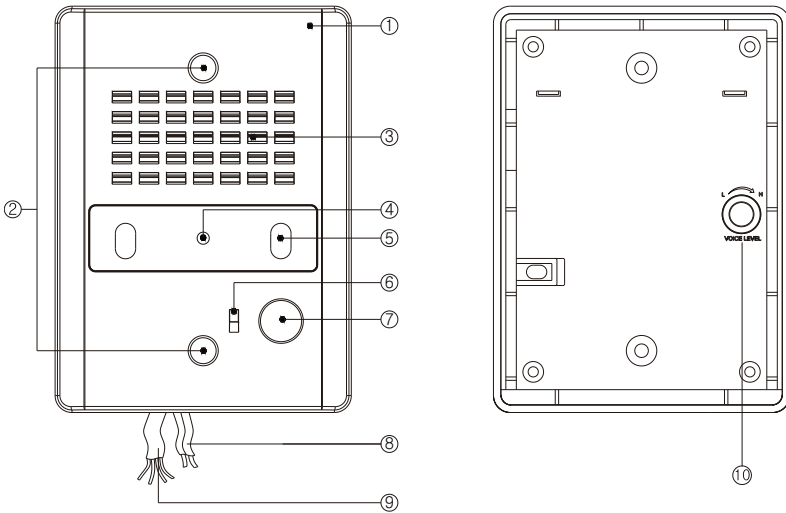
1. Greetings

* Thank you for purchasing our Commax® product.

* You should read this user's manual carefully before operating the unit.

* This common method H/A system provides household residents with added safety and convenience based on the various built-in features.

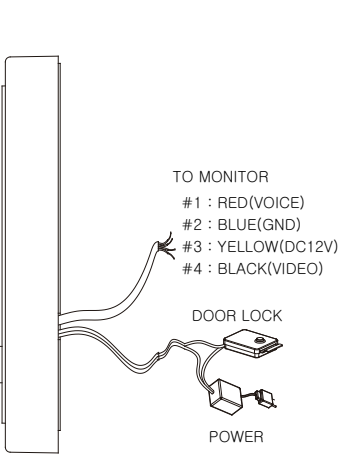
2.Overview



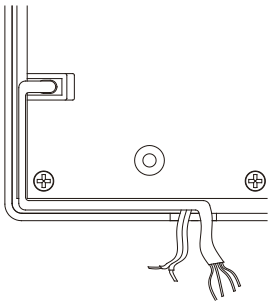
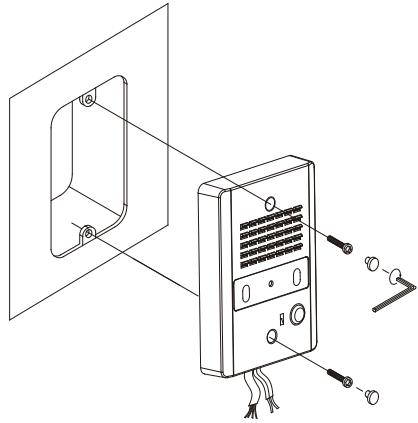
No.	Name	contents
1	Front Panel	
2	Mounting Holes	
3	Speaker	Transmits sounds from the household.
4	Camera Lens	Protect it from foreign substances.
5	LED Lamp	Turns on at night for better viewing.
6	MIC	For use when communicating with the household.
7	Page Button	Used to page the household.
8	Door Release Cable	
9	Monitor Cable	Connect to the household monitor, after matching up the polarity
10	Volume control	

3. Wiring & Installation

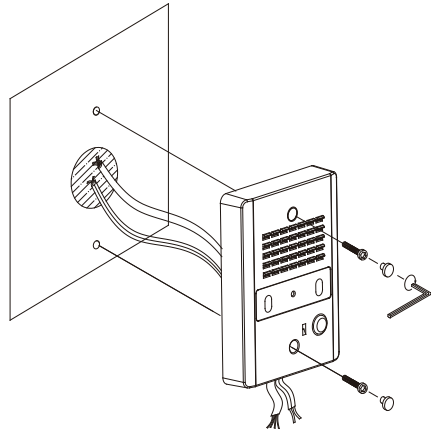
1. Cut out the mounting template included in the manual and use it to drill mounting holes ($\varnothing 6.5$) on the wall. Insert Concrete anchors in the holes.
2. Wire the household monitor cables as shown below. with matched polarity.[FIG-2]
(#1:RED/VOICE, #2:BLUE/GND, #3:YELLOW/DC12V, #4:BLACK/VIDEO)
3. Connect the door release cable as shown below.[FIG-2]
4. For exposed wiring, organize the wiring through the case as shown below.[FIG-3]
5. Secure using bolts and cover with AL. Screw Covers.[FIG-4]



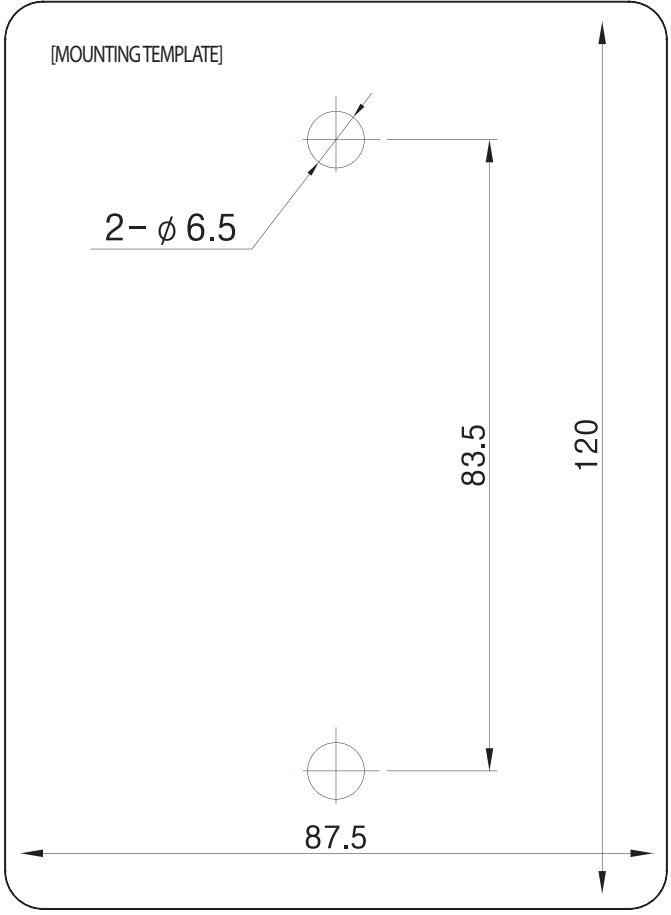
[FIG-2]



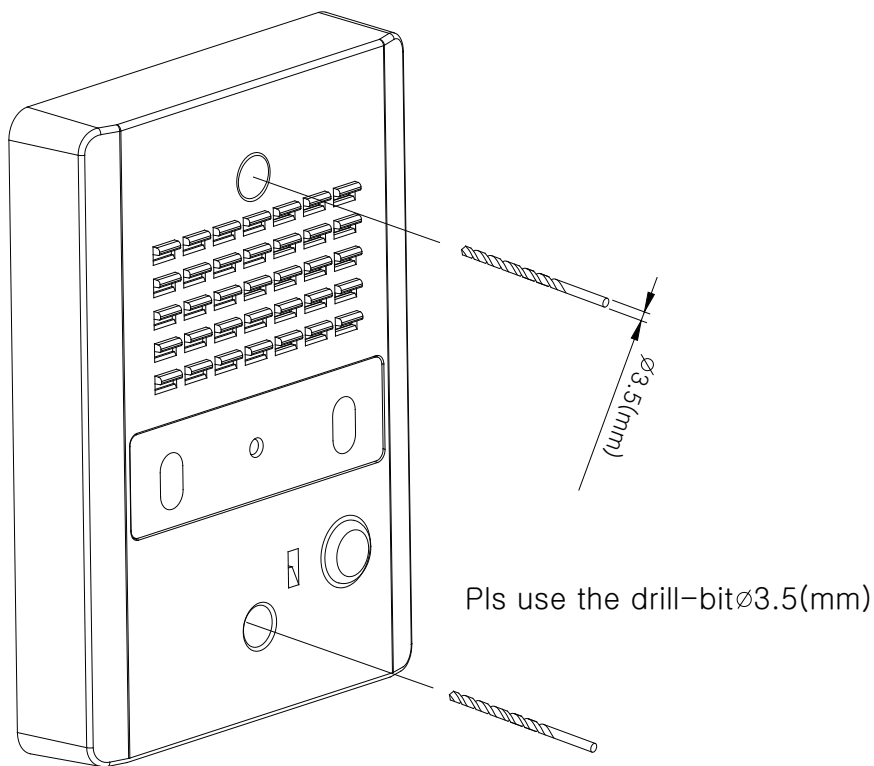
[FIG-3]



[FIG-4]



< In case of taking the cover off >



Pls use the drill-bit $\varnothing 3.5(\text{mm})$

4. Specification

specification	Model	DRC-4BGN
Resolution		C.C.D(Camera Module)
Rated voltage		12V == (supplied from the monitor)
Wiring Method(household)		4-wire polarity
Effective Viewing Angle	70°	Horizontal : 56° , Vertical : 42°
	90°	Horizontal : 71° , Vertical : 53°
Angle Adjustment		Fixed
Video Transmission Standard		EIA or CCIR
Lamp		Enclosed infrared LED
Minimum Luminance		0.1 LUX (Up to 30cm in front of the camera)
Ambient Temperature		-10°C ~ +50°C
External Dimensions(mm)		93.5(W) × 126(H) × 19(D)mm
Weight(g)		210g

specification	Model	DRC-4CGN
Resolution		CMOS IMAGE SENSOR
Rated voltage		12V == (supplied from the monitor)
Wiring Method(household)		4-wire polarity
Effective Viewing Angle		Horizontal : 47° , Vertical : 34°
Angle Adjustment		Fixed
Video Transmission Standard		NTSC or PAL STANDARD.
Lamp		Enclosed white LED(night operation)
Minimum Luminance		0.1 LUX (Up to 30cm in front of the camera)
Ambient Temperature		-10°C ~ +50°C
External Dimensions(mm)		93.5(W) × 126(H) × 19(D)mm
Weight(g)		210g